
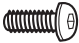

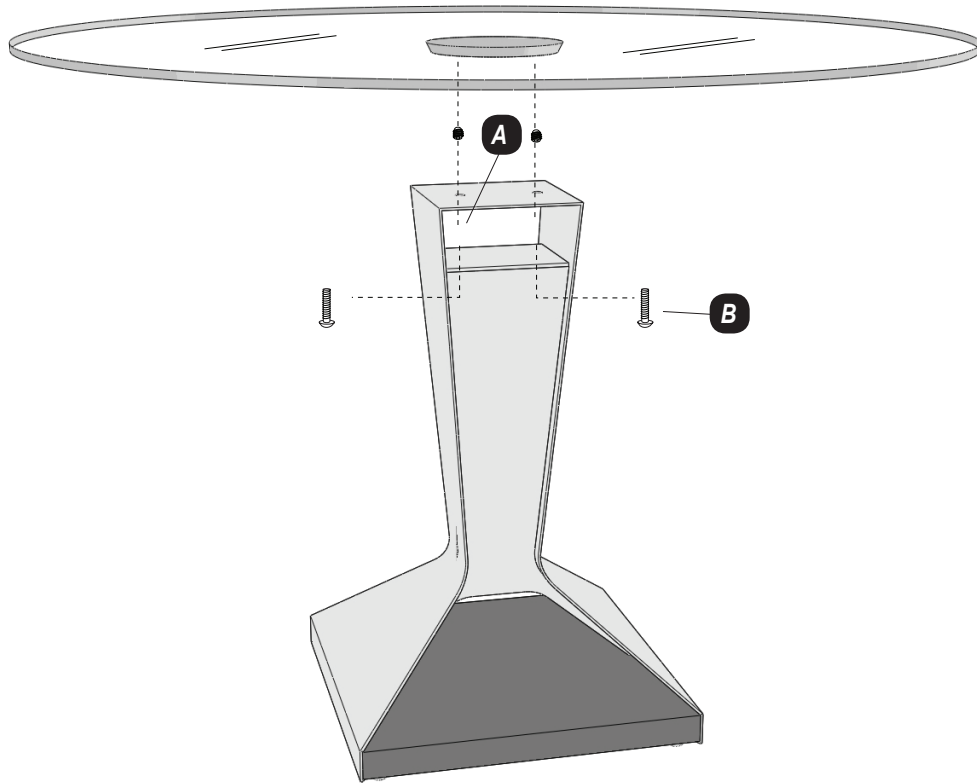


**BEACON
380 DINING TABLE
380P PUB TABLE**

ASSEMBLY INSTRUCTIONS

| PART ID | DESCRIPTION | QUANTITY |
|----------|--|----------|
| A |  Small Set Screw | 2 |
| B |  Buttonhead Screw | 2 |
| C |  Allen Wrench | 1 |



STEP ONE

Loosely fasten **Small Set Screws (A)** into glass top. **Do not tighten small set screws all the way in--you will use these to help align glass to the top of the table base.**

STEP TWO

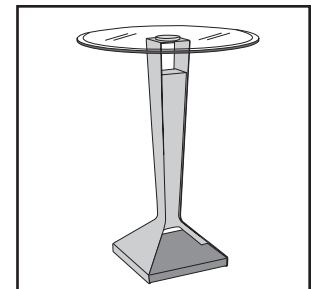
Carefully place the glass onto the top of the table base. Align small set screws on the glass with the holes on the top of table base.

STEP THREE

Once aligned remove **Small Set Screws (A)** then fasten the glass top with **Buttonhead Screws (B)** **Allen Wrench (C)**.

HAND TIGHTEN

**DO NOT USE
POWER TOOLS**



380P Pub Table